



**Count on it.**

**Parts Catalog**

**Scarifier**

Model No. 54610—Serial No. 322000001 and Up



# Ordering Replacement Parts

To order replacement parts, please supply the part number, the quantity, and the description of each part desired.

## Understanding Reference Numbers

Each identified part in an illustration has a reference number. The reference number for a part also appears in the parts list, along with other information about the part.

This catalog uses two special reference number formats, one to indicate parts in a service assembly and another to indicate the quantity of a given part in an illustration.

## Service Assembly Reference Numbers

Parts in service assemblies have reference numbers in the form a:b. The a represents the reference number of the entire service assembly and the b represents a sequential number unique to each part within the service assembly.

For example, a wheel assembly might be identified by reference number 6, the tire by 6:1, the valve by 6:2, and the wheel by 6:3. When you order the assembly identified by reference number 6, you receive all parts identified by reference numbers 6:1, 6:2, and 6:3. However, you may also order any part individually. Reference numbers of this type appear in illustration and in parts lists.

## Reference Numbers Indicating Quantity

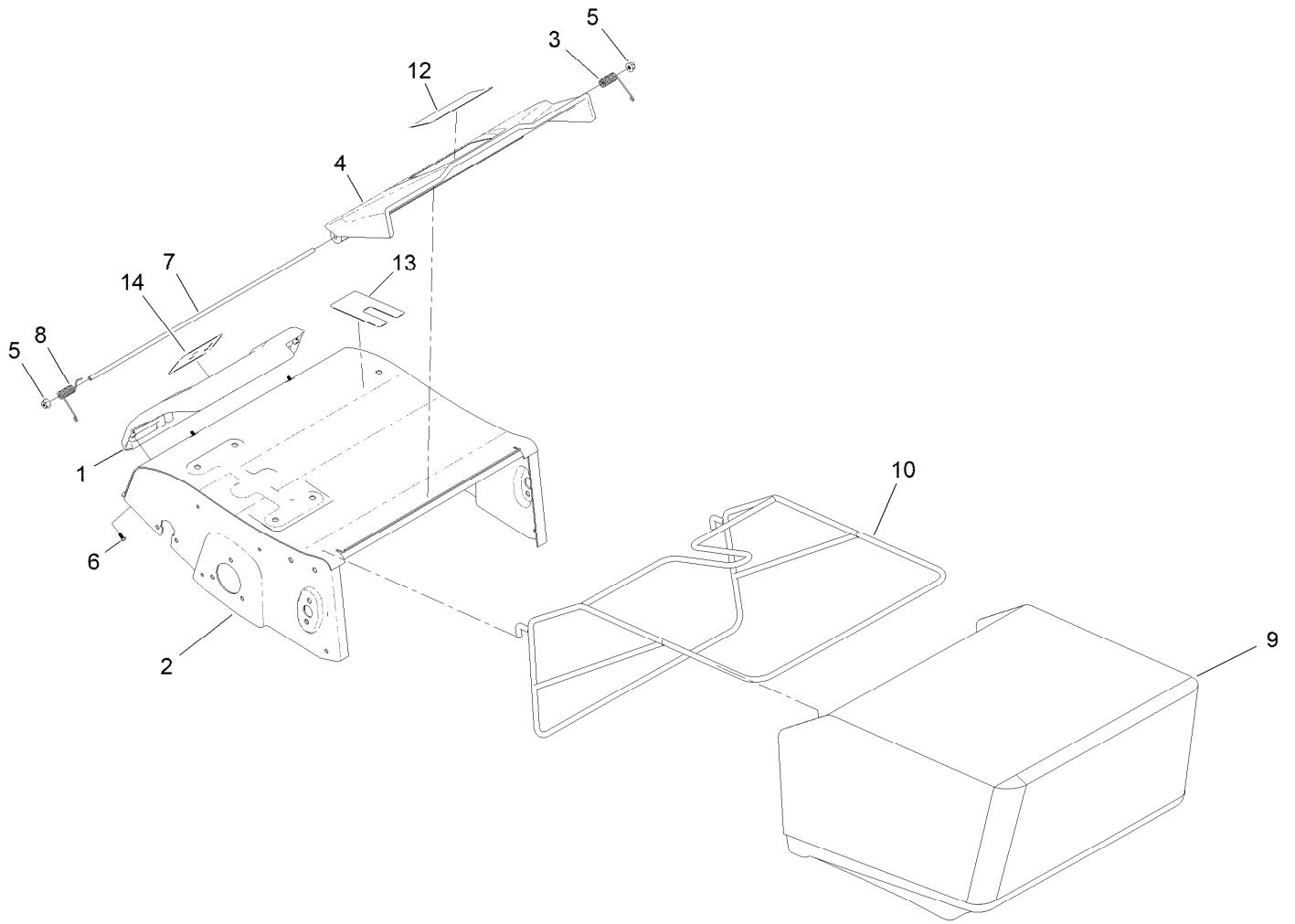
In an illustration, if a reference number indicates more than one part, the reference number has the form nX y. The n represents the quantity of the part, the X is the multiplication symbol, and the y represents the reference number.

For example, in an illustration, the reference number 2X 37 means that two of the parts identified by reference number 37 are indicated.

# Contents

Deck and Grass Bag Assembly .....	4
Engine and Pulley Assembly .....	6
Spring Tine Assembly .....	8
Blade Shaft Assembly .....	10
Traction and Suspension Assembly .....	12
Handle and Control Assembly .....	14
Lever Bracket Assembly .....	16

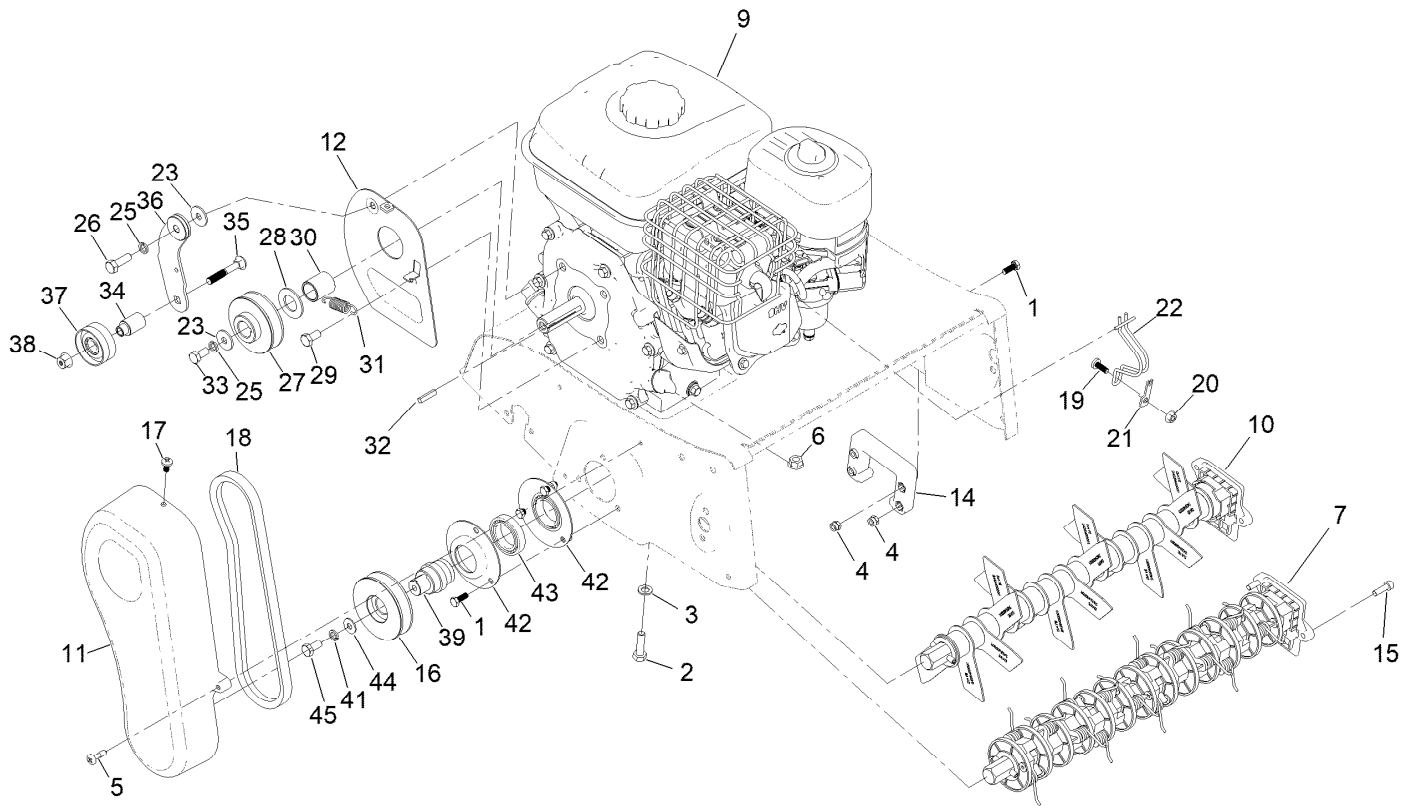
# Deck and Grass Bag Assembly



## Deck and Grass Bag Assembly (continued)

<i>Ref.</i>	<i>Part Number</i>	<i>Qty.</i>	<i>Description</i>	<i>Ref.</i>	<i>Part Number</i>	<i>Qty.</i>	<i>Description</i>
1	134-5278	1	Front Cowling	8	134-5608	1	Spring-Flap, Rear Lhs
2	134-7542	1	Deck HD	9	134-6106	1	Grass Bag - Fabric Assy
3	134-5495	1	Spring-Flap, Rear Rhs	10	134-6107	1	Grass Bag Steel Frame
4	134-5524	1	Flap-Rear	12	134-5696	1	Decal - Safety
5	134-0118	2	Nut-Lock, Flange	13	134-7583	1	Decal - Dual HOC / Spring Tine
6	134-5571	5	Screw-Pan Head	14	134-5702	1	Decal - Logo Toro
7	134-5585	1	Rod-Flap				

# Engine and Pulley Assembly



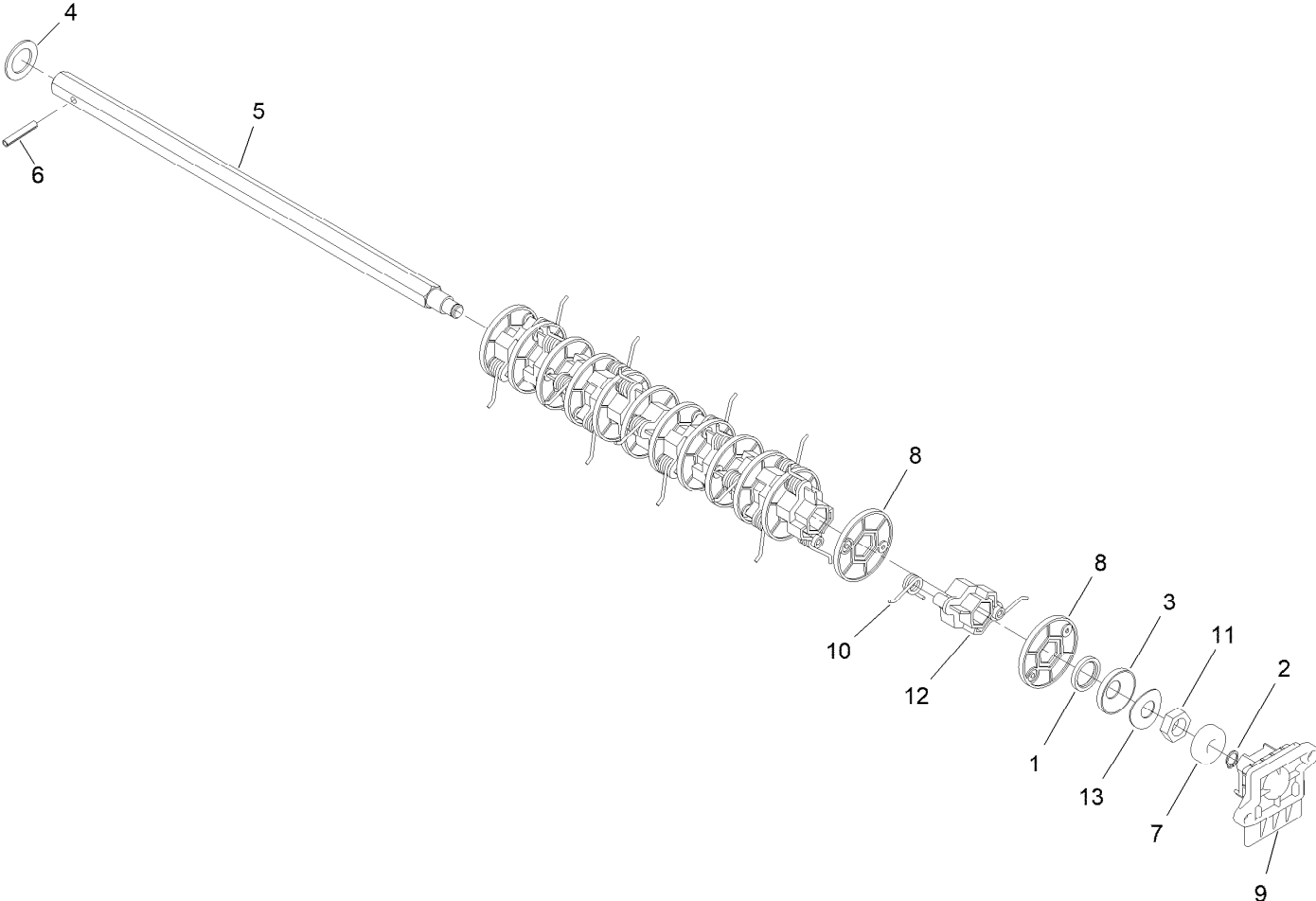
## Engine and Pulley Assembly (continued)

<i>Ref.</i>	<i>Part Number</i>	<i>Qty.</i>	<i>Description</i>	<i>Ref.</i>	<i>Part Number</i>	<i>Qty.</i>	<i>Description</i>
1	134-5466	3	Bolt-Hex	23	134-5591	2	Spacer-Shaft
2	09369	4	Screw-HH	25	134-5488	2	Washer- Lock, Spring
3	134-5498	4	Washer	26	03162	1	Screw-HH
4	134-5500	7	Nut-Lock, Prevailing Torque	27	134-5590	1	Pulley
5	134-5501	3	Screw	28	134-5595	1	Spacer-Shaft
6	134-0118	4	Nut-Lock, Flange	29	134-5596	1	Bolt-Hex
7	134-7553	1	Spring Tine Assembly	30	134-6263	1	Sheath
9		1	Engine - B&s Xr750 Horizontal ●■	31	134-5604	1	Spring
10	134-7556	1	Scarifier Blade Shaft Assembly	32	134-5605	1	Key
11	134-5574	1	Guard-Pulley	33	134-5483	1	Bolt-Hex
12	134-5592	1	Plate-Pulley, Engine	34	134-5599	1	Sleeve
14	134-5548	1	Dock-Shaft, Tine	35	134-5600	1	Bolt-Carriage
15	134-5573	2	Screw-Socket Cap Head	36	134-6115	1	Pulley Arm Welded Assy
16	134-5555	1	Pulley-Shaft, Tine	37	134-5602	1	Bearing
17	134-5553	1	Screw-Pan Head	38	134-5507	1	Nut-Lock, Prevailing Torque
18	134-5626	1	Belt	39	134-5494	1	Coupler
19	134-6108	1	Cross Screw M6X16	41	134-5488	1	Washer- Lock, Spring
20	134-6109	1	M6 Hex Nut	42	134-5487	2	Flange
21	134-6110	1	Exhaust Guard Bracket	43	134-5485	2	Bearing
22	134-6111	1	Guard-Exhaust	44	134-5490	1	Washer
				45	134-5483	1	Bolt-Hex

● Not serviced separately

■ Obtain parts from [www.briggsandstratton.com](http://www.briggsandstratton.com)

# Spring Tine Assembly

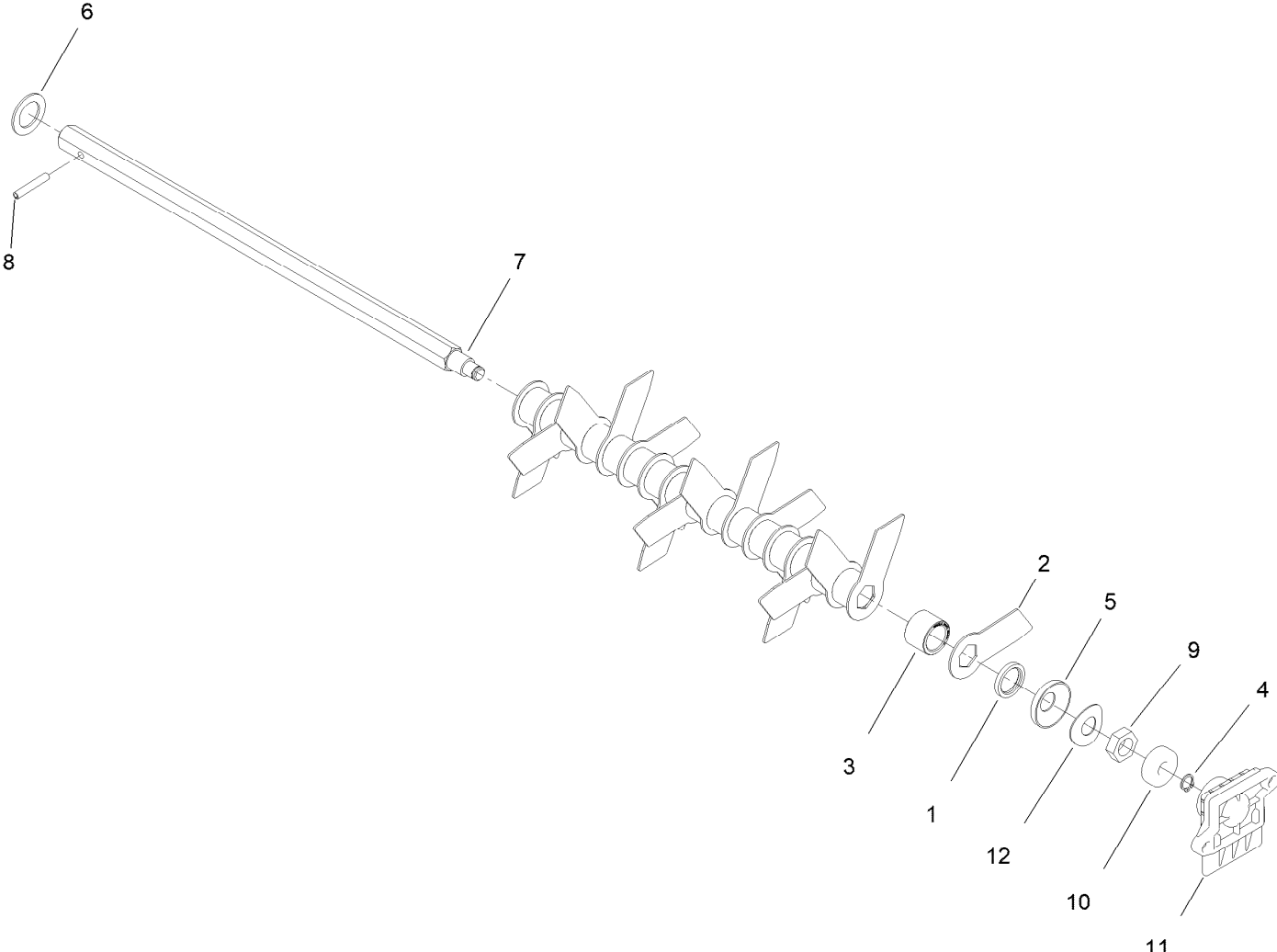




## Spring Tine Assembly (continued)

<i>Ref.</i>	<i>Part Number</i>	<i>Qty.</i>	<i>Description</i>	<i>Ref.</i>	<i>Part Number</i>	<i>Qty.</i>	<i>Description</i>
1	134-5513	1	Spacer	8	134-5567	13	Divider-Spring, Plastic Aerator
2	134-5516	1	Circlip	9	134-7543	1	Bearing Housing V2
3	134-5517	1	Shoulder Piece	10	134-7554	24	Spring Tine V2
4	134-5518	1	Washer	11	134-5521	1	Nut-Hex
5	134-5519	1	Rod-Hex	12	134-7569	12	Spring Retainer, Aerator
6	134-5520	1	Pin-Dowel	13	134-6264	1	Washer-Wave
7	134-5522	1	Bearing				

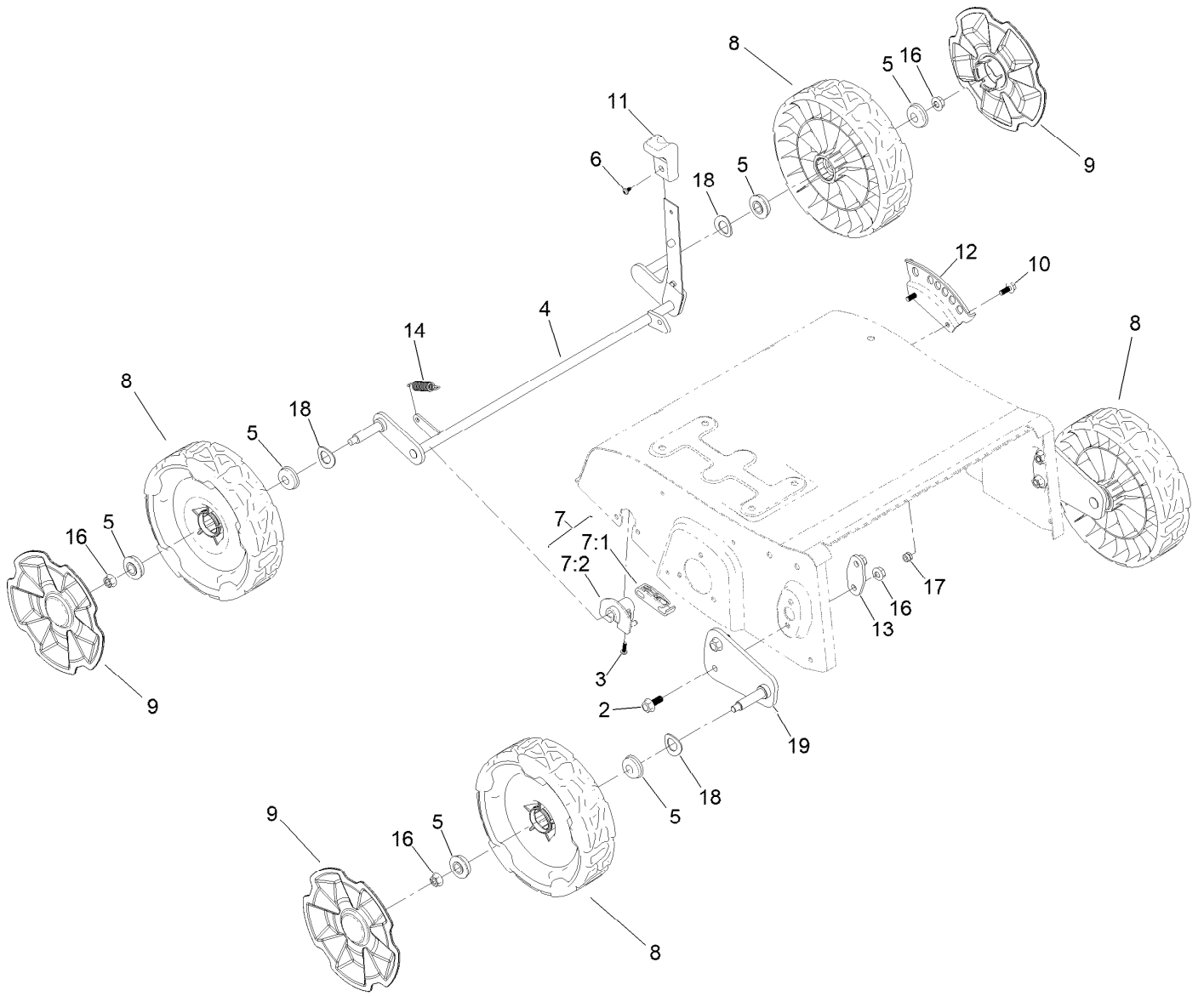
# Blade Shaft Assembly



## Blade Shaft Assembly (continued)

<i>Ref.</i>	<i>Part Number</i>	<i>Qty.</i>	<i>Description</i>	<i>Ref.</i>	<i>Part Number</i>	<i>Qty.</i>	<i>Description</i>
1	134-5513	1	Spacer	7	134-5519	1	Rod-Hex
2	134-5514	18	Blade-Scarifier	8	134-5520	1	Pin-Dowel
3	134-5515	17	Spacer	9	134-5521	1	Nut-Hex
4	134-5516	1	Circlip	10	134-5522	1	Bearing
5	134-5517	1	Shoulder Piece	11	134-7543	1	Bearing Housing V2
6	134-5518	1	Washer	12	134-6264	1	Washer-Wave

# Traction and Suspension Assembly

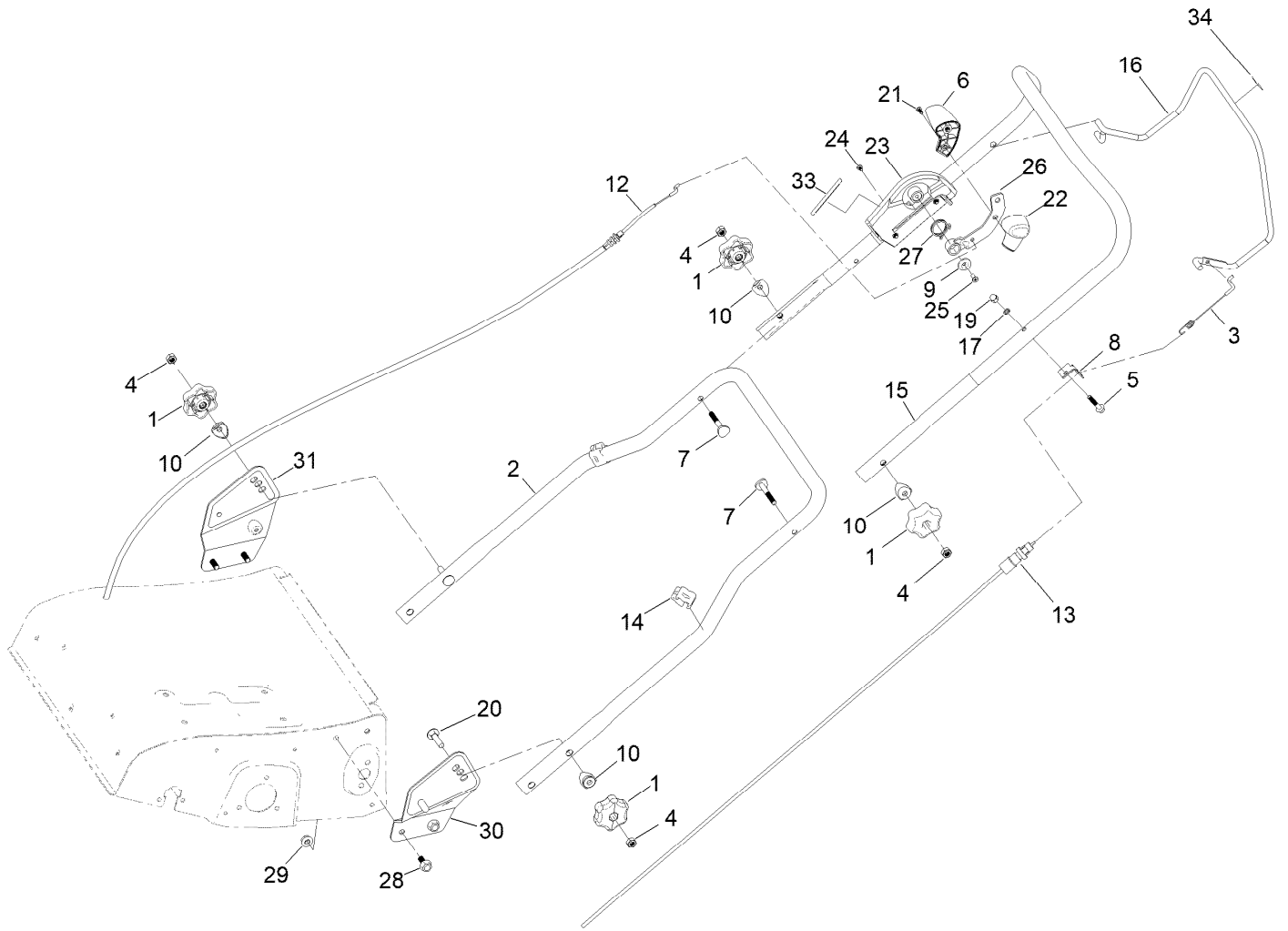


## Traction and Suspension Assembly (continued)

<i>Ref.</i>	<i>Part Number</i>	<i>Qty.</i>	<i>Description</i>	<i>Ref.</i>	<i>Part Number</i>	<i>Qty.</i>	<i>Description</i>
2	134-5460	4	Bolt-Flange, Hex	9	134-5352	4	Hub Cap
3	134-5467	2	Screw-Cross Recessed Pan Head	10	134-3739	2	Screw-HHF
4	134-7544	1	Front Axle ASM	11	134-5570	1	Handle-Lever, HOC
5	134-5499	8	Bearing-Steel	12	134-5616	1	Plate-Adjustment, HOC
6	134-5504	1	Screw-Pan Head	13	134-5547	2	Plate-Axle, Rear
7		2	Front Axle Seat Assy ●	14	134-5580	1	Spring
7:1	134-5510	1	Clip-Axle	16	134-5625	8	Nut-Flange, Hex
7:2	134-5511	1	Clip-Axle	17	09438	2	Nut-Nyloc
8	134-5333	4	Wheel, 8"	18	134-6112	4	Wave Washer
				19	134-6104	2	Plate-Axle, Rear

● Not serviced separately

# Handle and Control Assembly

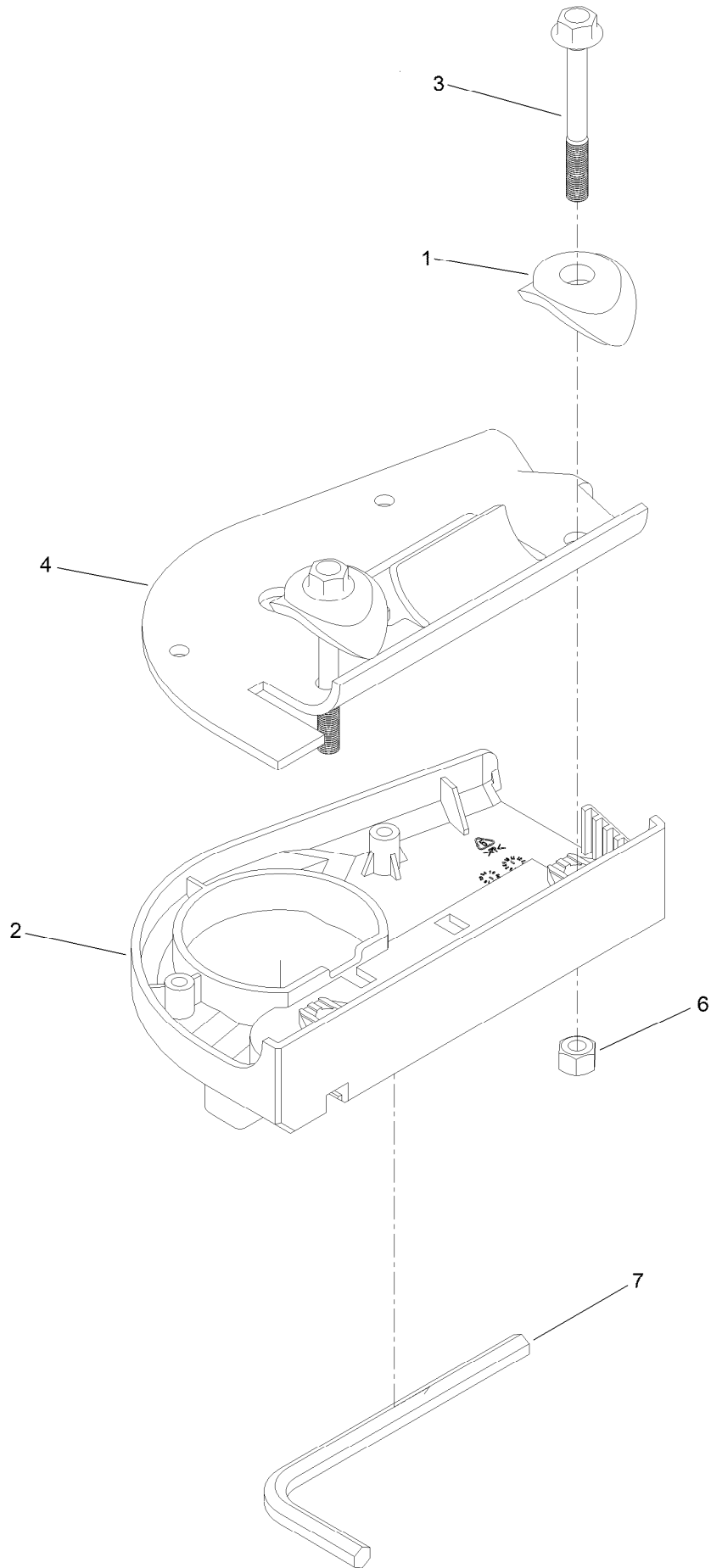


## Handle and Control Assembly (continued)

<i>Ref.</i>	<i>Part Number</i>	<i>Qty.</i>	<i>Description</i>	<i>Ref.</i>	<i>Part Number</i>	<i>Qty.</i>	<i>Description</i>
1	134-5465	4	Knob-Handle	21	134-5571	2	Screw-Pan Head
2	134-5474	1	Bar-Handle, Lower	22	134-5615	1	Handle-Plastic, Lever Raise Tine
3	134-5476	1	Cable- Lever, Engine Brake	23		1	Tine Raise Lever Bracket Assy ●
4	09443	4	Nut M8 Plain	24	134-5504	2	Screw-Pan Head
5	134-3742	1	Screw-HHF	25	134-5552	1	Screw-Head, Countersunk
6	134-5502	1	Lever Handle Section	26	134-6320	1	Lever Arm Plate Assy
7	134-5503	2	Bolt-Flat Head	27	134-5619	1	Spring
8	134-5505	1	Bracket-L	28	134-5460	4	Bolt-Flange, Hex
9	134-5506	1	Washer-Lever	29	134-5587	4	Nut-Flange, Hex
10	134-5508	4	Washer-Curve	30	134-6102	1	Lower Handle Bracket Plate Lhs
12	134-5531	1	Cable-Lever, Tine Raise	31	134-6103	1	Lower Handle Bracket Plate Rhs
13	134-5543	1	Cable-Lever, Engine Brake	33	134-5698	1	Decal -Transport Lever
14	134-5549	2	Clamp-Cable	34	134-6097	1	Decal - Stop
15	134-5581	1	Bar-Handle, Upper				
16	134-5575	1	Lever-Brake, Engine				
17	134-5550	1	Washer-Lock, Spring				
19	134-5610	1	Nut-Cap Head				
20	134-5572	2	Bolt-Square Cup Head				

● Not serviced separately

# Lever Bracket Assembly





## Lever Bracket Assembly (continued)

<i>Ref.</i>	<i>Part Number</i>	<i>Qty.</i>	<i>Description</i>	<i>Ref.</i>	<i>Part Number</i>	<i>Qty.</i>	<i>Description</i>
1	134-5508	2	Washer-Curve	6	134-5562	2	Nut-Hex
2	134-5557	1	Casing - Lever	7	134-5564	1	Key- Allen, Hex
3	134-5558	2	Bolt-Flange, Hex				
4	134-5560	1	Plate-Bracket, Lever Raise Tine				

**Notes:**

**Notes:**



**Count on it.**